

## Tact Switch Series

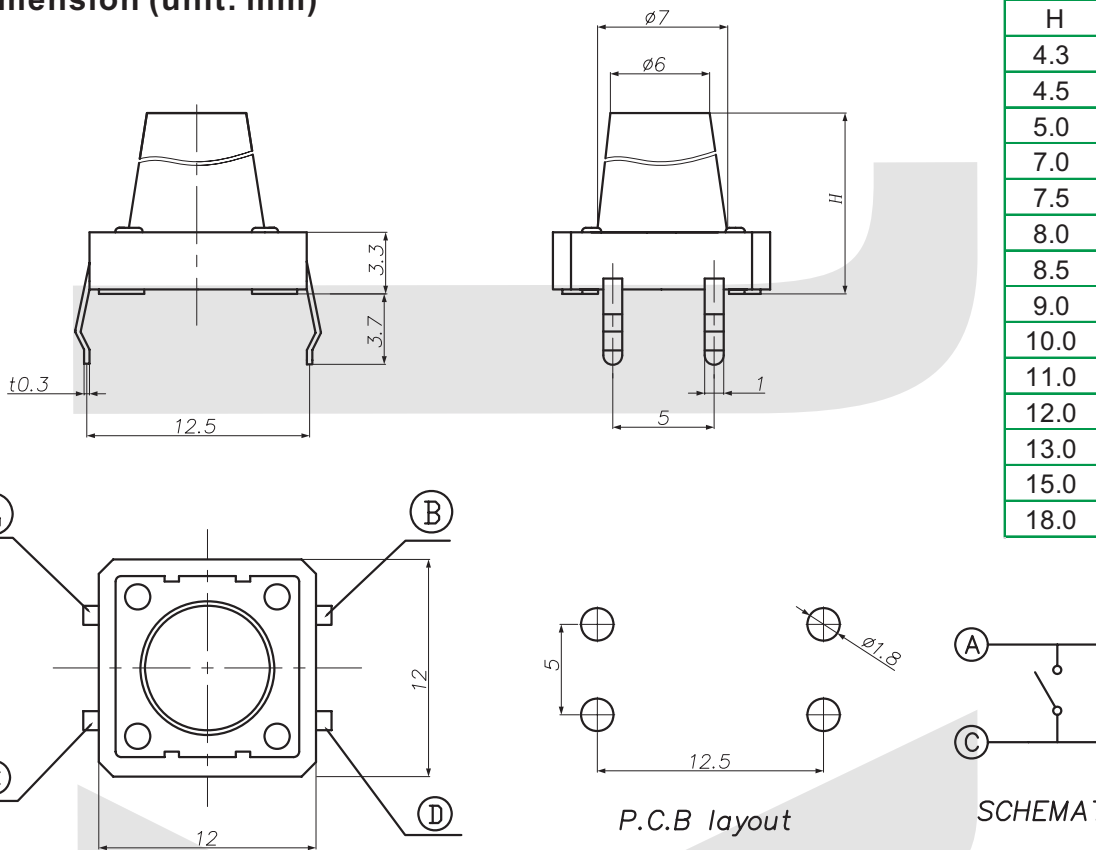
### KLS7-TS1202 12x12 Tact Switch Series

#### ELECTRICAL

1. Rating: 50mA 12VDC
2. Contact Resistance : 50mΩ max(initial)
3. Insulation Resistance: 100MΩ(minDC 250V)
4. Dielectric Strength : AC250V(50/60Hz for 1minute)
5. Electrically Life: 100000cycles
6. Environment temperature: -20°C~+70°C
7. Operating Force: 180/250(±30gf)
8. Seal temperature: 260°C~ 280°C



#### Dimension (unit: mm)



## ORDER INFORMATION

KLS7-TS1202 - 4.3 - 180

Series No.

Operating Force :180~250gf

Hight: 4.3mm/4.5mm/5.0mm/7.0mm/  
7.5mm/8.0mm/8.5mm/9.0mm/  
10.0mm/11.0mm/12.0mm/  
13.0mm/15.0mm/18.0mm